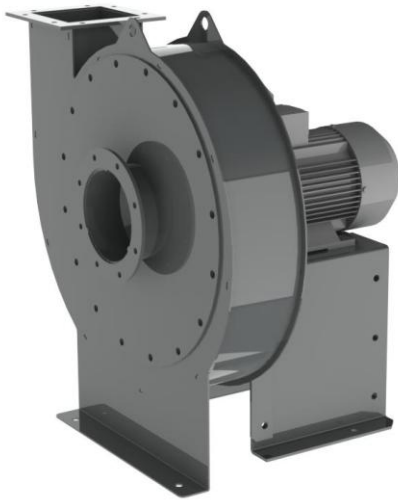


## Press release

### New standard for centrifugal fans



Pollrich DLK Fan Factories offers with their new series **Etatec** by Pollrich DLK (CREM01) a complete range of directly driven centrifugal fans for industrial applications. Roughly 1.200 standardised impeller-motor combinations with a performance range from 1,5 kW up to 200 kW ensure short delivery times and best price-performance ratio. The standardised series is applicable for conveying temperatures up to 80 °C and covers flow rates up to 180.000 m<sup>3</sup>/h and total pressure increases up to 15.000 Pa.

The modular design enables customised solutions regarding type of drive, materials and conveying temperatures up to 300 °C.

The new fan series is available since the beginning of February 2013.

*With the trademark Pollrich DLK Fan Factories, the companies Pollrich Ventilatoren GmbH and DLK Ventilatoren GmbH offer the widest product range on the fan market: Centrifugal fans, axial fans, plug fans, induction fans and smoke extraction fans. Pollrich DLK Fan Factories combines more than 140 years experience of both companies in industrial fan manufacturing.*

February 2013